

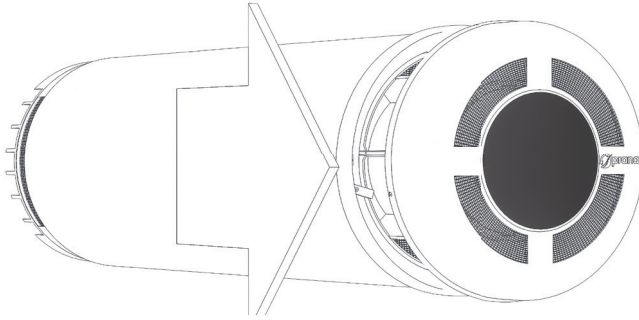


# **INSTRUCTIONS OF THE DISMANTLING OF RECUPERATOR ELEMENTS**

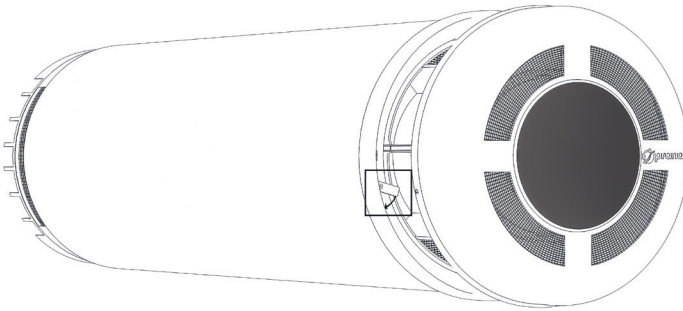
## DISMANTLING OF THE FRONT COVER OF THE RECUPERATOR

---

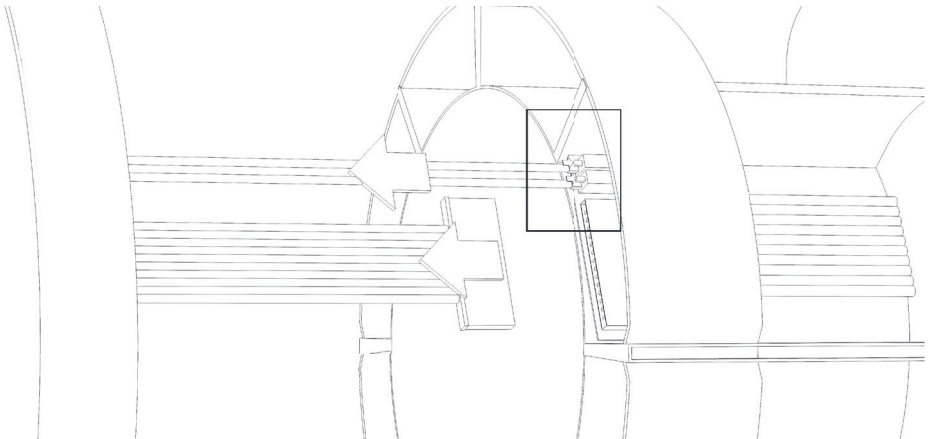
Remove the cover.



Unfold the stoppers and remove the cover.



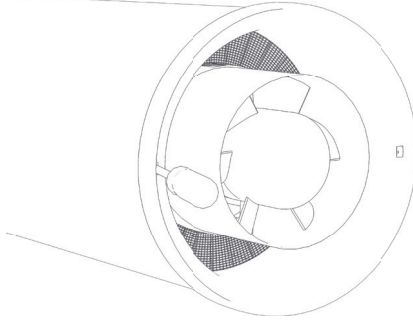
Disconnect the power cords and data transmission cable (some connections contains latches that must be pressed before disconnecting).



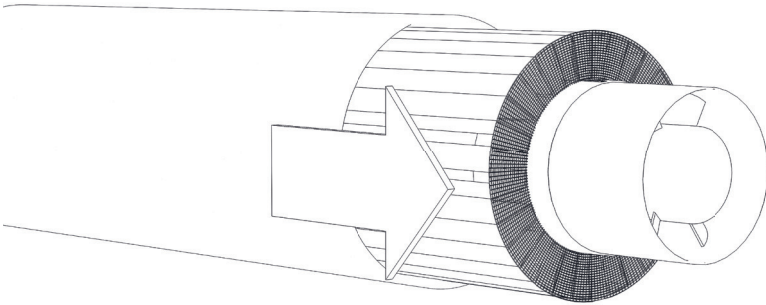
## DISMANTLING OF THE INTERNAL UNIT OF THE RECUPERATOR

---

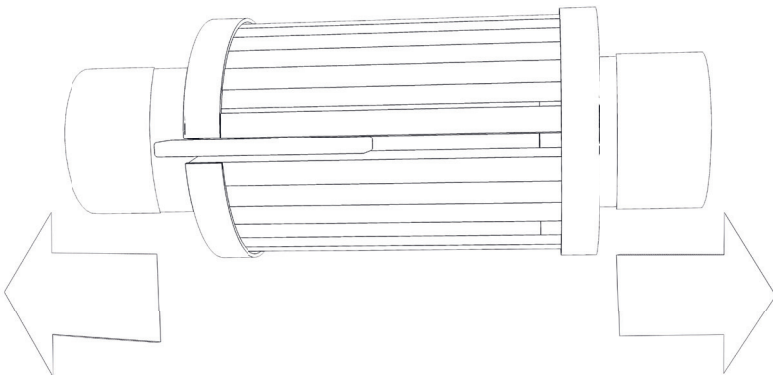
Untwist the flange of the front cover of the recuperator.



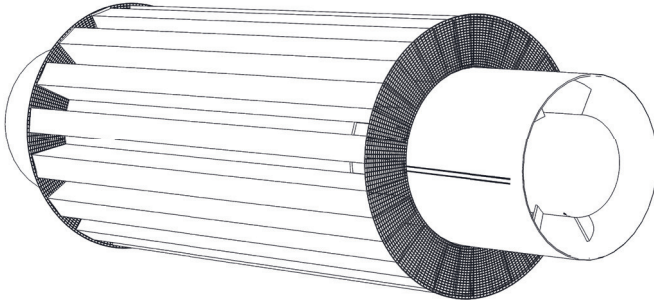
Remove the internal unit of the recuperator.



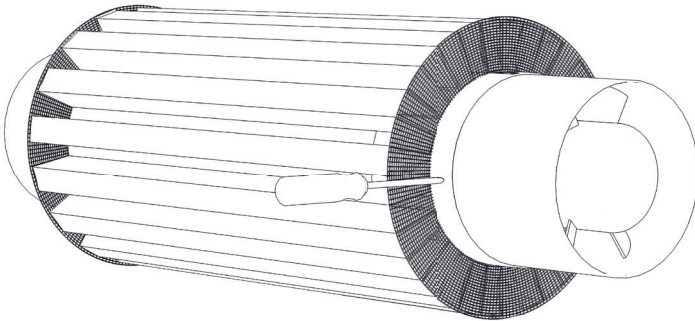
Remove underfloor cable trunking system (it eliminates a mixing of the airflows). The underfloor cable trunking in the front part also works as the valve which blocks the inflow.



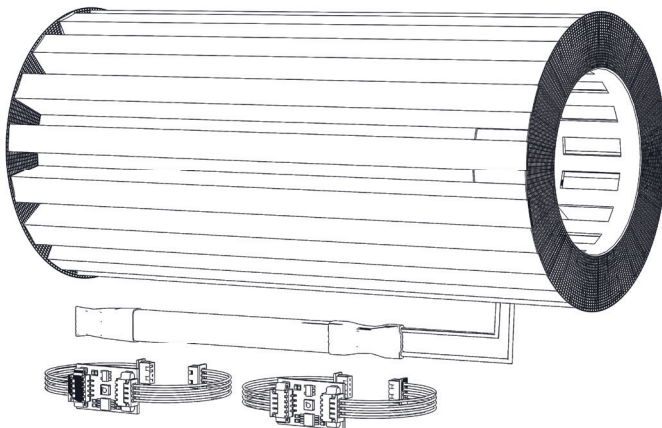
Disconnect the wires from the engines.



Untwist the perpendicular screws fixating the engines to the heat exchanger and detach (remove) them.



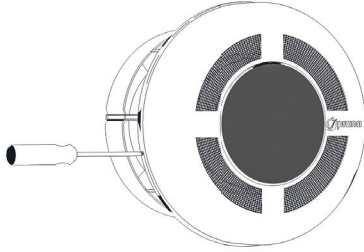
Disconnect additional hinged electrical components (internal adapter, condensate heater, temperature sensors) (if equipped).



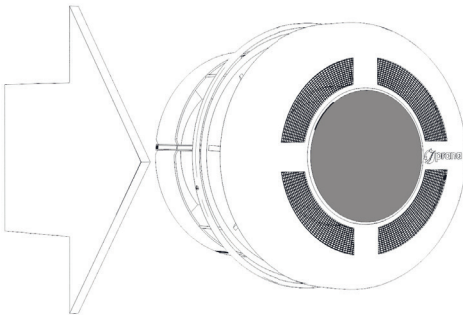
## DISMANTLING OF THE CONTROL BOARD

---

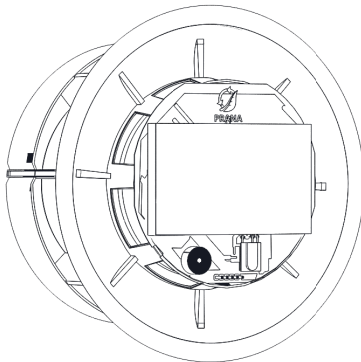
Untwist the screws from the front cover.



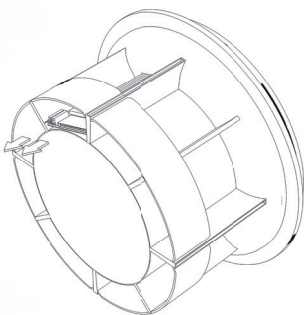
Detach the front part of the cover.



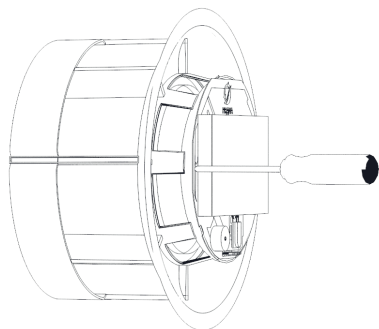
Disconnect all cables and wires from the control board (some connections have latches that must be pressed before disconnecting).



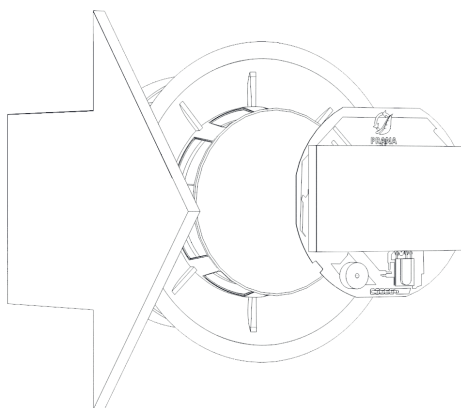
Remove the adapter board and sensors located in the edges of the front cover (if equipped).



Untwist the 2 screws fixing the control board.



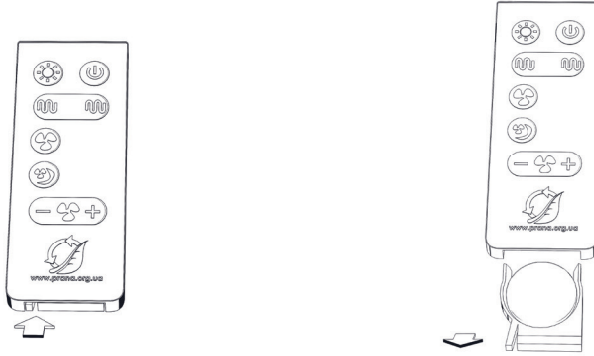
Dismantle the control board.



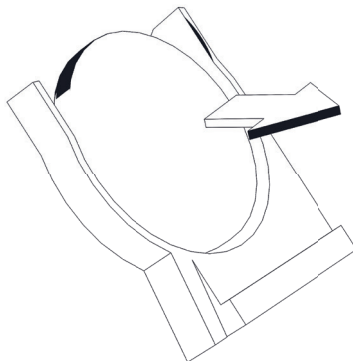
## REMOVAL OF BATTERIES FROM THE CONTROL PANEL (A)

---

Slide the bottom cover away from the remote control by pressing the stopper (of the accidental opening) to open the battery compartment.



Remove the battery from the battery lock in the remote control.

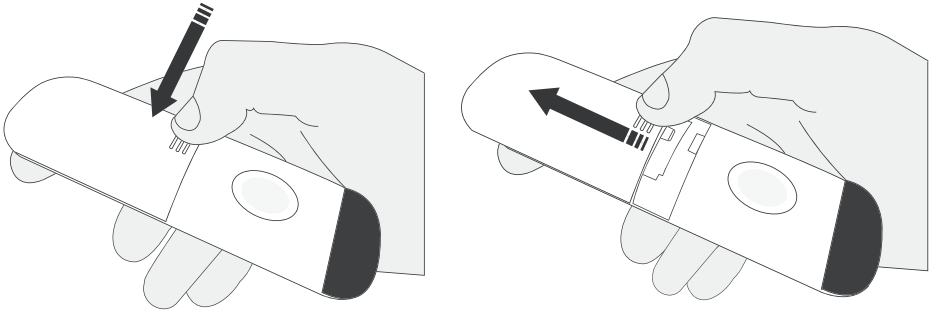


! Do not dispose of batteries with normal waste. Contact specialized local authorities for proper disposal of the batteries.

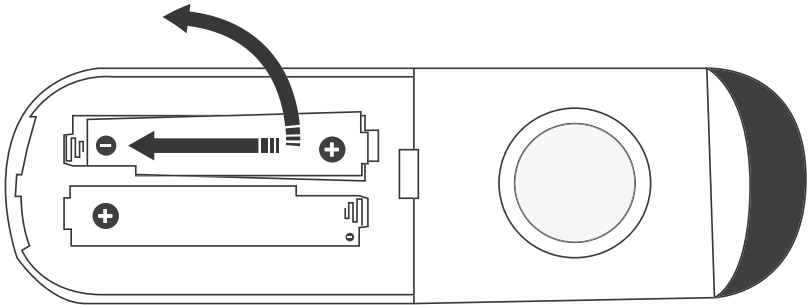
## REMOVAL OF BATTERIES FROM THE CONTROL PANEL (B)

---

Move the bottom cover away from the remote control to open the battery compartment.



Remove the batteries in the direction from '+' to '-' of each battery.



! Do not dispose of batteries with normal waste. Contact a local authority for proper disposal of the batteries.



# NOTES

---

A series of horizontal dashed lines for writing notes.

# NOTES

---

A series of horizontal dashed lines for writing notes, spanning the width of the page.

# NOTES

---

A series of horizontal dashed lines for writing notes.



**prana**  
recuperators